

## e-slide

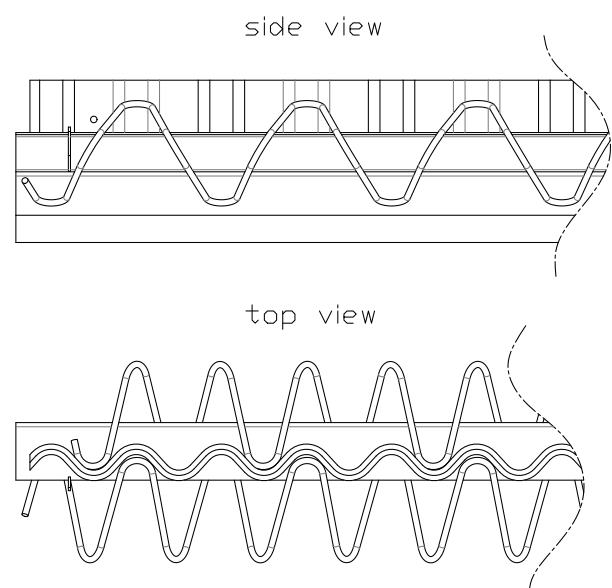
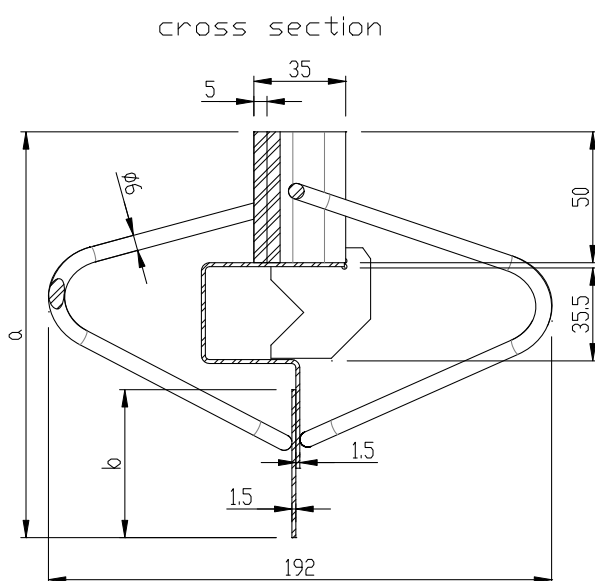


<b>STEEL QUALITY</b>	EN 10025-2:2004 - S235JR, cold drawn NBN A 24-302 - BE 500 TS EN 10111:2008 - DD14
<b>MATERIAL THICKNESS</b>	2 x 5 mm (13/64") upper Slide® waves Body 1,5 mm (1/16")
<b>PROFILE LENGTH</b>	2,60 m (+ 5 mm / - 10 mm) (8.53 ft +13/64" / - 25/64")
<b>JOINT OPENNING</b>	Optimal and recommended up to 15 mm (19/32"), load transfer possible up to 25 mm (1")
<b>ANCHORAGE</b>	Patented, specially 3D formed rebar $\varnothing$ 6 mm (15/64") as continuous anchorage
<b>VERSIONS</b>	Natural steel / Galvanized / Stainless steel AISI 304 or AISI 316
<b>PALLET SIZE</b>	Length 2,60 m (8.53 ft), Width 1,15 m (3.77 ft), height see table

Height a [mm] (inch)	Slab thickness [mm] (inch)	b [mm] (inch)	Weight [kg/m] (lbs/ft)	Weight [kg/pc.] (lbs/pc.)	Quantity [pcs./pal.]	Quantity [m/pal.] (ft/pal.)	Gross weight per pal. [kg] (lbs)	Pallet Height [m] (ft)
130 (5 1/8)	140 - 150 (5 33/64 - 5 29/32)	30 (1 3/16)	8,20 (5.58)	21,32 (47.00)	56	145,6 (477.69)	1285 (2844)	1,15 (3.77)
155 (6 7/64)	160 - 180 (6 19/64 - 7 3/32)	65 (2 9/16)	8,61 (5.79)	22,39 (49.36)	49	127,4 (417.98)	1150 (2535)	1,26 (4.13)
180 (7 3/32)	190 - 200 (7 31/64 - 7 7/8)	90 (3 35/64)	8,91 (5.99)	23,16 (51.06)	42	109,2 (358.27)	1025 (2260)	1,20 (3.94)

The e-slide joint is recommended for the use in light and medium loaded floors and for floor thickness' between 140 and 200 mm (5.5" - 8").

**ATTENTION:** The load transfer capacity of e-slide® is reduced when compared to Cosinus Slide® but is still considerably greater than discontinued plate- or doweled joints. For calculations, validations and optimal use of the joints for your respective projects, please contact your local dealer or send a request to [info@hcjoints.be](mailto:info@hcjoints.be).



Document issued June 2020. Hengelhoef Concrete Joints nv. reserves the right to alter the products without notice.

©COPYRIGHT 2020 by Hengelhoef Concrete Joints nv.



**HENGELHOEF**  
**CONCRETE JOINTS**

Hengelhoefstraat 158, Poort Genk 0420, B-3600 Genk  
T. +32 (0)89 32 39 80 · F. +32 (0)89 32 39 88  
E. [info@hcjoints.be](mailto:info@hcjoints.be)

[www.hcjoints.be](http://www.hcjoints.be)